

**Regional Recreation Corporation of Wood Buffalo (“RRC”)  
Fort McMurray, Alberta  
Request for Proposal (“RFP”)  
For  
Miskanaw Golf Club Cart Path Project 2019  
RFP # 2019-01-22 Miskanaw Cart Path  
Closing Time: February 22, 2019 4:00PM MST**

This is not a tender. This RFP will **not** be publicly opened and read.

**1.0 DEFINITIONS**

The following definitions apply to the terms used throughout this document:

- 1.1 Closing Time means the date and time for the closing of this RFP as identified in section 3.1.
- 1.2 Contact means the position identified in section 2.2 and is responsible for managing the RFP process through whom all correspondence will flow, including receiving all commercial and technical questions and issuing addenda to this RFP.
- 1.3 Evaluation Team means the individuals who will evaluate the Proposals on behalf of the RRC.
- 1.4 Mandatory Requirements means those requirements in this RFP described with a “must”. Failure to provide mandatory information could result in a Proposal being rejected.
- 1.5 Proponent means a party responding to this RFP.
- 1.6 Proposal means the Proponent's response to the RFP and includes all the Proponent's attachments and presentation materials.
- 1.7 RFP means a Request for Proposal.
- 1.8 RMWB means the Regional Municipality of Wood Buffalo.
- 1.9 RRC means the Regional Recreation Corporation of Wood Buffalo.
- 1.10 Work means the goods and services described in section 2.1 and in detailed in Appendix A.

**2.0 REQUEST FOR PROPOSAL INVITATION**

**2.1 *Project Overview:***

The RRC's procurement mandate promotes fair, transparent, and open exchange of opportunities to the public to develop relationships that will support the growth of the RRC.

This RFP is issued to invite Proposals for the RRC's requirements, hereinafter is referred to as Work. See Work definitions that are summarized below and detailed in Appendix A attached within.

Project Name: Miskanaw Golf Club Cart Path

Location: Miskanaw Golf Club at MacDonald Island Park, Fort McMurray

Work Description: Cart path construction for holes 5, 7, 11, 12, 13 & 14 of the Miskanaw Golf Course

The Work is expected to be completed by on or before May 15<sup>th</sup>, 2019

The contract term for services, warranties, licenses and any other support agreements will be specified in any contract resulting from this RFP.

The Proponent acknowledges and agrees that this procurement process is a RFP and is not a tendering process. It is part of an overall procurement process intended to enable the RRC to identify one or more potential vendors for the requested product or service. The submission of a Proposal does not constitute a legally binding agreement between the RRC and any Proponent.

## **2.2 Contact Information:**

It is the Proponent's responsibility to clarify interpretation of any matter the Proponent considers to be unclear before the Close of Questions Deadline, by contacting:

Supervisor, Supply Chain  
Email: [RFP.Support@RRCWB.ca](mailto:RFP.Support@RRCWB.ca)

All inquiries relating to this RFP shall be directed in writing via email to the Contact above no later than ten (10) business days (February 22<sup>nd</sup>, 2019) prior to Closing Time. Contact with any other RRC personnel, consultants, or others affiliates may result in non-acceptance of Proposals and Proponent disqualification.

The RRC is not responsible for any misunderstandings on the part of the Proponent regarding this RFP or its associated process. Questions will be deemed to be received once the questions submitted by Proponents have been received by the Contact noted above.

## **2.3 Delivery Requirements:**

Proposals must be received via email to the email indicated in section 2.2 above before the Closing Time and the subject line must clearly reference this **RFP # (2019-01-22 Miskanaw Cart Path)**.

Proponents shall submit one copy of their Proposal, via email to the Contact in Section 2.2.

## **2.4 Proposal Validity Period:**

Proposals shall be valid for a period of 90 days from the Closing Date or other such period as may be agreed by the Proponent and the RRC.

**2.5 Proposal Eligibility:**

In order for Proposals to be eligible for consideration, they must:

- 2.5.1 be received by the Contact on or before the Closing Time, at the email address specified in Section 2.2;
- 2.5.2 meet the Delivery Requirements, as specified in Section 2.3;
- 2.5.3 meet the Proposal Validity Period requirements, as specified in Section 2.4 and;
- 2.5.4 include a copy of the Acknowledgement Form – Appendix B signed by an individual authorized to do so on behalf of the Proponent.

**3.0 Instructions to Proponents**

**3.1 RFP Timetable:**

Interested parties should obtain the RFP directly from Alberta Purchasing Connection (APC) or the Regional Recreation Corporation of Wood Buffalo (RRC) websites facilitate receiving any RFP amendments issued.

The timetable below shows the anticipated schedule to award this RFP. The dates shown are estimates. The RRC will strive to meet the activity dates shown; however, the RRC reserves the right to change the schedule as its sole discretion.

Activity	Date	Time
Issuance of RFP:	January 22 <sup>st</sup> , 2019	4:00 PM MST
Close of Questions Deadline:	February 8 <sup>th</sup> , 2019	4:00 PM MST
Closing Date and Time:	Feb 22 <sup>nd</sup> , 2019	4:00 PM MST
Anticipated Award Date:	March 8 <sup>th</sup> , 2019	4:00 PM MST

**3.2 General Conditions:**

**3.2.1 Business Code of Conduct**

Proponents must be aware that RRC employees hold exclusive loyalty to the RRC and must never be put in a position where personal or financial incentives or interests may impair their judgment and ability to make decisions in the best interest of the RRC. Proponents must not offer nor should a RRC employee accept any gifts, gratuities, discounts or any other favors from a supplier or potential supplier to the RRC.

**3.2.2 Consent to Use of Information**

By responding to this RFP, the Proponent consents, and has obtained the written consent from any individuals identified in the Proposal for the RRC to use the personal information provided in the Proposal to evaluate the Proposal. The success Proponent shall provide proof of the consent of individuals as described in this paragraph to the RRC upon request.

### **3.2.3 Conflict of Interest**

Proponents must fully disclose, in writing to the Contact on or before the Closing Time, the circumstances of any possible conflict of interest or what could be perceived as a possible conflict of interest if the Proponent were to become a contracting party pursuant to the RFP. The RRC shall review any submissions by Proponents under this provision and may reject any Proposals where, in the opinion of the RRC, the Proponent could be in a conflict of interest or could be perceived to be in a possible conflict of interest position if the Proponent were to become a contracting party pursuant to the RFP.

### **3.2.4 Alberta's Personal Information Protection Act (PIPA):**

The RRC recognizes that each response may contain information in the nature of trade secrets or commercial, financial, labour relations, scientific or technical information of or about a Proponent. The RRC also understands that responses to this RFP are provided in confidence and protected from disclosure to the extent permitted under law.

The Proponent should identify appropriate parts of its Proposal as confidential since this will clearly establish its expectations toward the document, both to the the RRC as a public body and to the Information and Privacy Commissioner in any review or refusal of access. The RRC, however, may not be able to meet these expectations in every instance.

## **3.3 Pre-Submission Requirements:**

### **3.3.1 Pre-proposal Meeting**

**This is a mandatory site meeting or conference call. Proposals will not be considered from firms that have not participated with this meeting. Pertinent information regarding this RFP and this project may be conveyed at this pre-proposal meeting.**

**Date and Time: January, 28<sup>th</sup>, 2019; 10:00AM**

**Location: Miskanaw Pro Shop or phone 780-880-1685**

### **3.3.2 Request for Extension**

Any request for an extension to the Closing Time will only be considered if received, in writing, ten (10) (February 8<sup>th</sup>, 2019) business days before the Closing Time.

### **3.3.3 Addenda**

The RRC reserves the right to respond to questions, make clarifications and changes, in its sole discretion, to this RFP at any time prior to the Closing Time through the issuance of addendums. Should the RRC issue any addendums to the RFP, the changes will be posted on the Alberta Purchasing Connection (APC) and the Regional Recreation Corporation of Wood Buffalo (RRC) website: no other notices will be issued. Proponents are cautioned to ensure they have received and reviewed all addenda (if any) prior to submitting a Proposal. All addenda issued by the RRC form part of this RFP.

### **3.3.4 Cost of Preparation**

The Proponent is responsible for all costs of preparing and presenting the Proposal.

## **3.4 Submission Requirements:**

**3.4.1** In evaluating the Proposals received, the RRC will consider all of the criteria listed below in Section 3.6, and the RRC will have the sole and unfettered discretion to award up to the maximum number of points for each criteria as listed below. By submitting a Proposal, the Proponent acknowledges and agrees that the RRC has, and is hereby entitled to exercise, the sole and unfettered discretion to award the points for the evaluation of the noted criteria.

**3.4.2** By submitting a Proposal, each Proponent acknowledges and agrees that it waives any right to contest in any legal proceedings the decision of the RRC to award points in respect of the criteria noted below (the "Evaluation Criteria").

**3.4.3** Proposals and any accompanying documentation, upon receipt by the RRC, will become the property of the RRC and will not be returned to the Proponent.

## **3.5 Proposal Content:**

Proposals submitted should be in enough detail to allow the RRC to determine the Proponent's qualifications and capabilities from the documents received. Every effort should be made to include complete details of the proposed Work.

Proposals should contain, at minimum, the following items and should be identified accordingly:

### **3.5.1 Introduction**

Introduces the Proponent and provides a summary of the qualifications of the Proponent and the Proponent's area of expertise

The Proposal should include:

- i. A description of the overall company, in sufficient detail to explain how the Proponent is organized and its areas of business. The description should be in sufficient detail to demonstrate how the staff, organization and financial resources ensure the ongoing ability to provide timely and professional services to the RRC.
- ii. Summary of the corporate history including the full legal name of the company, company address, name of the President/CEO/Owner/Partner(s) and the date the company started business.
- iii. Provide details of any and all subcontracting arrangements proposed by the Proponent.
- iv. Details of any joint ventures, consortiums or partnerships that may be used to complete the Work.

### **3.5.2 Experience and References**

Proponent should provide a minimum of three (3) references with contact information for the purpose of evaluation of the Proposal.

References should include:

- a. the name of the references providing the reference;
- b. the contact name, title, address and telephone number;
- c. the size and nature of the client's business;
- d. the period of time dealing with the client.

### **3.5.3 Proposed Services, Equipment and Resources**

Proponent should identify persons or teams who will provide specific knowledge and experience in performing work for the projects and services requested in this RFP.

Proponents should include a schedule highlighting all critical dates including manufacturing lead times and related delivery information to achieve operational readiness on or before May 15<sup>th</sup>, 2019. This schedule should identify responsibilities of both the Proponent and the RRC.

Proponents should:

- a. provide complete breakdown of pricing,
- b. identify any discounts that may apply
- c. provide all pricing information in Canadian funds, exclusive of G.S.T.;

### **3.5.4 Additional Information from Proponents**

***If the Proponent wishes to include any other option not specifically requested by this RFP, it may do so by including additional option, as appendices to the Proposal.***

### **3.5.5 Execution of the Proposal**

Proposals shall be properly executed in full compliance with the following:

- a. proposals shall be signed by an authorized representative for the Proponent; (Appendix B)
- b. if the Proposal is made by a corporation, the full name of the corporation shall be accurately printed immediately above the signatures of its duly authorized officers and the corporate seal (as needed per corporate bylaw) shall be affixed;
- c. if the Proposal is made by a partnership, the firm name or business name shall be accurately printed above the signature of the firm and the Proposal shall be signed by a partner or partners who have authority to sign for the partnership;
- d. if the Proposal is made by an individual carrying on business under a name other than his own, his business name together with the individual's name shall be printed immediately above its signature; and
- e. If the Proposal is made by a sole proprietor who carries on business in his own name, the proprietor shall print his name immediately below his signature.

**3.5.6 Primary Contact Name**

***Provide the name of a single contact person for all future communications between the Proponent and the RRC. Also provide the name of a secondary contact in the event the primary is not available. These persons will be the sole contacts for the purposes of this RFP.***

**3.6 Evaluation of Proposals:**

**3.6.1 Clarification**

The RRC reserves the right to seek clarification from any Proponent to assist in the evaluation of its Proposal.

**3.6.2 Acceptance or Rejection**

Proponents are advised that all of the Instructions to Proponents and conditions of the RFP must be strictly complied with and any non-compliance may invalidate the Proposal in question. The RRC reserves the right to reject any Proposal not adhering to material requirement set out in this RFP.

The RRC may, in its sole discretion, accept or reject for its consideration any and all Proposals that contain minor and inconsequential irregularity, or where practicable to do so, the RRC may, as a condition of acceptance of a Proposal, request a Proponent to correct a minor and inconsequential irregularity with no change in proposed price.

The determination of what is or is not a minor and inconsequential irregularity, the determination of whether to accept, waive, or require correction of an irregularity, and the final determination of the validity, will be at the sole discretion of the RRC.

**3.6.3 Method**

Once a proposal has been accepted as eligible, the RRC will evaluate it using a Weighted Matrix method. A sample matrix is shown in Figure 1 below. During the draft of the RFP, the RRC will select the evaluation criteria and assign a “weight” to each one. The weight indicates each criterion’s relative importance in determining the successful Bidder. Proposals will be evaluated against each criterion using a scoring scale from 0 to 5, with the resulting score then being multiplied by the assigned weight to give a Result. The Results are summed up to give a Total Score for the evaluation. The RRC will assign scores at its sole discretion.

Item	Criteria	Weight	Score	Result
1	Proposal Cost	40	3.5	140
2	Services, Equipment & Resources	30	4.5	135
3	Pass Experience	20	4	80
4	Proposal Content	10	5	50
	<b>TOTAL</b>	<b>100</b>	<b>N/A</b>	<b>405</b>

Figure 1 – Sample Weighted Matrix showing scores and Totals

In this sample, the vendor would have scored **four hundred and five (405) out of a possible total of five hundred (500)**. This Total will be compared against all other submissions, with the Proposal with the highest Total being deemed the Winning Proposal.



The RRC recognizes that “Best Value” is the essential part of purchasing a product and/or service and therefore the RRC may prefer a Proposal with a higher price, if it offers greater value and better serves the RRC’s interests, as determined by the RRC, over a Proposal with a low price. The RRC’s decision shall be final.

The RRC may, at its sole discretion, invite one or more Proponents for an interview or request further clarification to address any questions relating to their Proposal(s). Proponents will be responsible for any costs associated with the preparation for, and attendance at the interview to take place at a specified location in Fort McMurray, Alberta. The RRC may, at its sole discretion, select the format for the interview (i.e. in-person, telephone, video-conference, etc.).

The RRC may, if necessary, re-evaluate and adjust the previously determined scores based on the results of the interview(s).

**3.7 *Recapitulation of Proposals***

The RRC reserves the right to internally publish the names of Proponents and any summary cost information deemed appropriate.

**3.8 *Proposal Return***

Proposals and accompanying documentation, upon receipt by RRC, will become the property of RRC and shall not be returned to the Proponent.

**3.9 *Negotiation and Selection***

By submitting a Proposal, a Proponent accepts that a contract may be negotiated between the RRC and the Proponent whose Proposal is evaluated as the best value. The RRC reserves the right to negotiate with any Proponent, or more than one Proponent. If the parties after having negotiated in good faith are unable to conclude a formal agreement, the RRC and the Proponent will be released without further obligations other than any surviving obligations regarding confidentiality and the RRC may, at its discretion, contact the Proponent of the next best rated Proposal and attempt to conclude an agreement with it, and so on until an agreement is reached.

The RRC may at its discretion 1) negotiate with a Proponent to award a contract for all or a portion of the Work; 2) cancel this RFP and issue a new RFP with a new scope of work; or 3) cancel this RFP in its entirety.

**3.10 *Commitment***

Proponents are advised that the RRC makes no commitment under this RFP. Any commitment resulting from this RFP will be made by means of a duly authorized contract.

**3.11 *Business License***

The successful Proponent will be required to obtain licenses to operate in the Province of Alberta. To perform work within the Regional Municipality of Wood Buffalo the successful Proponent will be required to obtain a municipal business license. All costs associated with licensing, insurance and all other requirements are to be borne by Proponent.

**3.12 *Amendment or Revocation of Proposal***

A Proponent may amend its Proposal prior to the Closing Time by submitting a clear and detailed written notice to the Contact. A Proponent may revoke its Proposal at any time prior to an agreement being entered into with RRC by submitting a clear and detailed written notice to the Contact.



**3.13 *Independent Determination***

A Proposal will not be considered by the RRC if it was not arrived at independently without collusion, consultation, communication or agreement as to any matter, such as prices, with any other Proponent.

**3.14 *Funding***

The RRC may cancel this RFP or decide not to enter into an agreement pursuant to this RFP if appropriate budget funding approval is not available.

**3.15 *Disclaimer of Liability and Indemnity***

By submitting a Proposal, a Proponent agrees:

**3.15.1** to be responsible for conducting its own due diligence on data and information upon which its Proposal is based;

**3.15.2** that it has fully satisfied itself as to its rights and the nature extended to the risks it will be assuming;

**3.15.3** that it has gathered all information necessary to perform all of its obligations under its Proposal;

**3.15.4** that it is solely responsible for ensuring that it has all information necessary to prepare its Proposal and for independently verifying and informing itself with respect to any terms or conditions that may affect its Proposal;

**3.15.5** to hold harmless the RRC, its directors, officers, employees, agents, advisors, Regional Municipality of Wood Buffalo and all of their respective successors, from all claims, liability and costs related to all aspects of the RFP process;

**3.15.6** that it shall not be entitled to claim against the RRC, its directors, officers, employees, insurers, agents, advisors and Regional Municipality of Wood Buffalo on grounds that any information, whether obtained from the RRC or otherwise, regardless of the manner or form in which the information is provided is incorrect or insufficient;

**3.15.7** that the RRC will not be responsible for any costs, expenses, losses, damages or liability incurred by the Proponent as a result of, or arising out of, preparing, submitting, or disseminating a Proposal, or for any presentations or interviews related to the Proposal, or due to the RRC's acceptance or non-acceptance of a Proposal; and

**3.15.8** to waive any right to contest in any proceeding, case, action or application, the right of the RRC to negotiate with any Proponent for the Contract whom the RRC deems, in its sole and unfettered discretion, to have submitted the Proposal most beneficial to the RRC and acknowledges that the RRC may negotiate and contract with any Proponent it desires.

**3.16 *Discretion of RRC***

Notwithstanding any other provision of this RFP to the contrary, the provisions in this Article prevail, govern and override all other parts of this RFP. The RRC is not bound to accept any Proposal. At any time prior to execution of the Contract, the RRC may, in its sole and

unfettered discretion, or for its own convenience, terminate the procurement process, cancel the Work or proceed with the Work on different terms. All of this may be done with no compensation to the Proponents or any other party.

The RRC reserves the right, in its sole and unfettered discretion, to:

- 3.16.1** utilize any designs, ideas or information contained in any of the Proposals for its sole use and benefit without making payment or otherwise providing consideration or compensation to any Proponent or any other party;
- 3.16.2** negotiate the specific contractual terms and conditions, including but not limited to the fee or price of the Work;
- 3.16.3** waive any formality, informality or technicality in any Proposal, whether of a minor and inconsequential nature, or whether of a substantial or material nature;
- 3.16.4** receive, consider, and/or accept any Proposal, regardless of whether or not it complies (either in a material or non-material manner) with the submission requirements or is the lowest priced proposal, or not accept any Proposal, all without giving reasons;
- 3.16.5** determine whether any Proposal meets the submission requirements of this RFP;
- 3.16.6** negotiate with any and all Proponents, regardless of whether or not the Proponent has a Proposal that does not fully comply, either in a material or non-material way with the submission requirements for the RFP or any requirements contained within this RFP; and
- 3.16.7** transfer any negotiated or executed contractual documents to a related corporation.

**3.17 Selection**

Selection of the successful Proponent, if any, is at the sole and unfettered discretion of the RRC.

**3.18 Disqualification**

The failure to comply with any aspect of this RFP (either in a material way or otherwise), shall render the Proponent subject to such actions as may be determined by the RRC, including disqualification from the RFP process, suspension from the RFP process and/or imposition of conditions which must be complied with before the Proponent will have its privilege of submitting a Proposal reinstated.

**3.19 Representations and Warranties**

- 3.19.1** The RRC makes no representations or warranties other than those expressly contained herein as to the accuracy and/or completeness of the information provided in this RFP.
- 3.19.2** Proponents are hereby required to satisfy themselves as the accuracy and/or completeness of the information provided in this RFP.
- 3.19.3** No implied obligation of any kind by, or on behalf of, the RRC shall arise from anything contained in this RFP, and the express representations and warranties contained in this RFP, and made by the RRC, are and shall be the only representations and warranties that apply.
- 3.19.4** Information referenced in this RFP, or otherwise made available by the RRC or any of its directors, officers, employees, agents or advisors, is provided for the convenience of the Proponent only and none of the RRC, its Directors, employees, agents and advisors warrant the accuracy or completeness of this information. The Proponent is required to immediately bring forth to the RRC any conflict or error that it may find in the RFP. All other data is provided for informational purposes only.

## Appendix A – Project Details

### Scope of Work

The RRC is seeking a Proponent to complete our cart paths located at the Miskanaw Golf Course. Path construction for holes 5, 7, 11, 12, 13 & 14 to commence on or before May 15<sup>th</sup>, 2019. The construction should follow the specifications noted in this document. Materials to be moved in place with track units (small dump or skid steer) as tandem trucks are not able to reach all areas of required paving due to areas of turf sensitivity.

### Miskanaw Golf Club Cart Path

#### Surveyed Quantities

Notes:

- A) Width to be 2.4 m
- B) Propex 4551 Non- Woven Geotextile to be used if compaction cannot be reached.
- C) Grades must allow for proper drainage with current surface grading.
- D) Asphalt only.

Hole #		Qty	Unit
5	Excavation	123.5	m3
	Subgrade	494	m2
	Granular Base	494	m2
	Exist Prep	756	m2
	Asphalt	1250	m2

7	Excavation	128.5	m3
	Subgrade	514	m2
	Granular Base	514	m2
	Exist Prep	36	m2
	Asphalt	550	m2

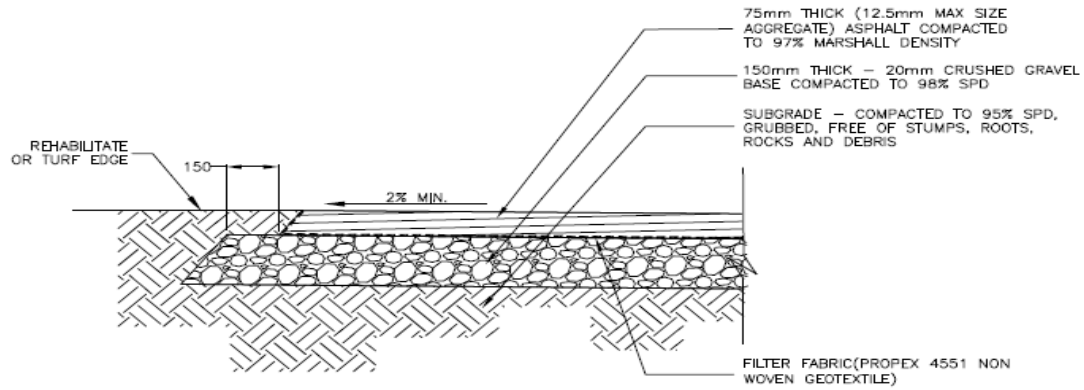
11	Excavation	191.75	m3
	Subgrade	767	m2
	Granular Base	767	m2
	Exist Prep	483	m2
	Asphalt	1250	m2

12	Excavation	307.25	m3
	Subgrade	1229	m2
	Granular Base	1229	m2
	Exist Prep	401	m2
	Asphalt	1630	m2

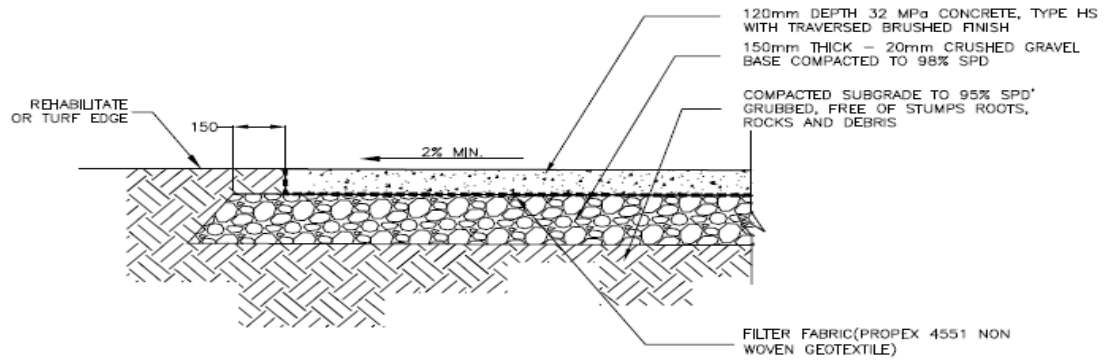
13	Excavation	204.5	m3
	Subgrade	818	m2
	Granular Base	818	m2
	Exist Prep	332	m2
	Asphalt	1150	m2

14	Excavation	0	m3
	Subgrade	0	m2
	Granular Base	0	m2
	Exist Prep	1250	m2
	Asphalt	1250	m2

## Cart Path Specifications



ASPHALT



**A surety bond will be required upon award.**

If selected as the successful Proponent, the Proponent, at its own expense, must provide a certificate of insurance on which the Regional Recreation Corporation of Wood Buffalo and Regional Municipality of Wood Buffalo are named as an additional insured, and must maintain, with Insurers allowed by the laws of the Province of Alberta to issue insurance policies in Alberta the following insurance policies:

Workers Compensation Insurance – The firm or individual shall procure and maintain during the life of the Agreement, workers compensation insurance, including employer’s contingent liability coverage, in accordance with all applicable statutes.

Commercial General Liability Insurance – The firm or individual shall procure and maintain for the life of the Agreement commercial general liability insurance, including Contractual liability coverage, against claims for personal injury, bodily injury and property damage on an “occurrence basis” with coverage in the amount of five million dollars (\$5,000,000) per occurrence combined single limit.

Motor Vehicle Liability – The firm or individual shall procure and maintain during the life of the Agreement motor vehicle liability insurance with limits of the liability not less than two million dollars (\$2,000,000) per occurrence. Coverage shall include all owner, non-owned and hired vehicles.

Professional Liability - The firm or individual shall procure and maintain during the life of an Agreement professional liability insurance coverage in the amount of two million dollars (\$2,000,000) for each claim.

The said insurance policy is to include provision for the insurers to endeavour to provide the RRC with thirty (30) days written notice prior to cancellation.

Proponent shall furnish documentary evidence satisfactory to the RRC of such policies and of the renewal or continuance of such insurances prior to thirty (30) business days of any expiry date or dates thereof.

Proponent, and not the RRC, shall be responsible for any deductible that may apply in any of the said insurance policies.



## Appendix B – Acknowledgement Form

Company / Proponent Name: \_\_\_\_\_

Address: \_\_\_\_\_

City: \_\_\_\_\_ Prov: \_\_\_\_\_ Postal Code: \_\_\_\_\_

Telephone: \_\_\_\_\_ Fax: \_\_\_\_\_

Website: \_\_\_\_\_ GST#: \_\_\_\_\_

Primary Contact: \_\_\_\_\_ Office: \_\_\_\_\_

Email: \_\_\_\_\_ Mobile: \_\_\_\_\_

Alternate Contact: \_\_\_\_\_ Office: \_\_\_\_\_

Email: \_\_\_\_\_ Mobile: \_\_\_\_\_

By signature below, the Proponent hereby acknowledges that 1) its understands and agrees with the RFP process described in this document, and 2) it has thoroughly reviewed the information contained in this RFP and has complied with the documents making up this Proposal, including all drawings and specifications as may be listed in the Index, and any amendments or addenda thereto:

\_\_\_\_\_  
Print Name

\_\_\_\_\_  
Title

\_\_\_\_\_  
Signature

\_\_\_\_\_  
Date

**(Detach this page and return with your Proposal)**